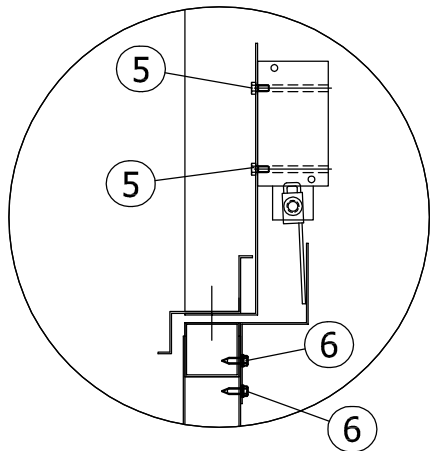
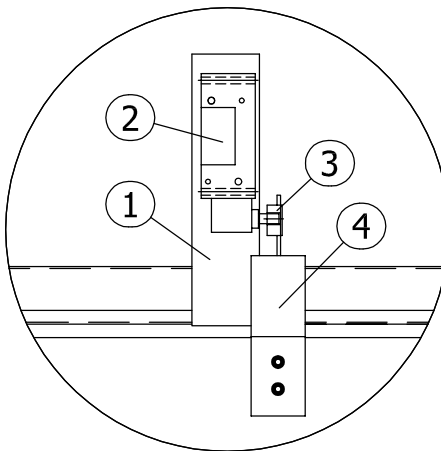


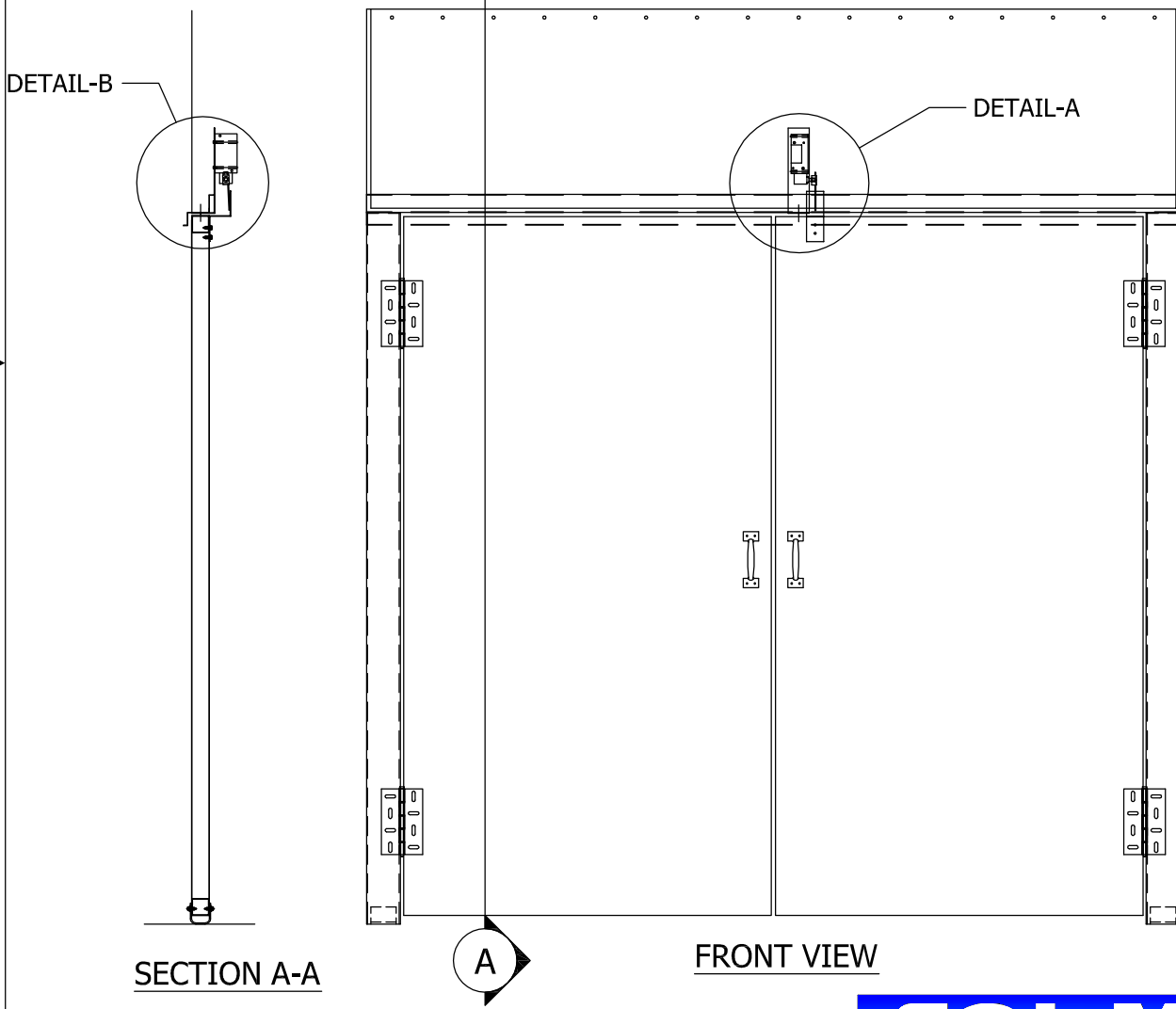
PRODUCT DOOR LIMIT SWITCH	
1	LIMIT SWITCH MOUNTING BRACKET
2	EXPLOSION PROOF LIMIT SWITCH
3	STEEL ROD LEVER ARM
4	OFFSET TRIGGER PLATE
5	#20 X 3/8" GRADE 2 HEX HEAD BOLT
6	SPEED TEK SCREW



DETAIL-B
SCALE: nts



DETAIL-A
SCALE: nts



SECTION A-A

FRONT VIEW

PRODUCT DOOR LIMIT SWITCH PAGE 1



All drawings, sketches and/or specifications accompanying or attached to these quotes are the property of Col-Met Spray Booths. If the said quote(s) of Col-Met Spray Booths are not accepted the said drawings, etc. shall be returned to Col-Met Spray Booths. All digital data is issued for information only. You should use this data for reference purposes only to assist in coordinating your work and is supplementary to formally issued paper drawings. In all instances the contract issue drawings govern. It is the responsibility of the recipient to check all digital information against the contract documentation. Col-Met Spray Booths accepts no liability or responsibility for any loss or damage suffered as a result of (or in connection with) the use or misuse of the CAD data supplied for information only. Once the data is introduced into your own CAD or other system, Col-Met Spray Booths can take no responsibility for its accuracy.

FILE LOCATION: t:\design manual\installation instructions\limit switch.dwg		DRAWING VIEW:	
JOB NO.:	-	PRODCUT DOOR LIMIT SWITCH	
DRAWN BY:		DISTRIBUTOR:	
DATE:		MOUNTING INSTRUCTIONS	
PLOT DATE:	2/26/2007	END USER:	
PLOTTED BY:	Paul Welch	PAGE 1 OF 2	
LAST SAVED BY:	PWelch	CUSTOMER P.O.:	
LAST SAVED DATE:	2/26/2007	FILE NAME:	LIMIT SWITCH.DWG
CHECK DATE:		REV.:	
CUSTOMER APPROVAL:		SCALE:	-
ORDER DATE:		SIZE:	11x17
QC:		SHEET:	

