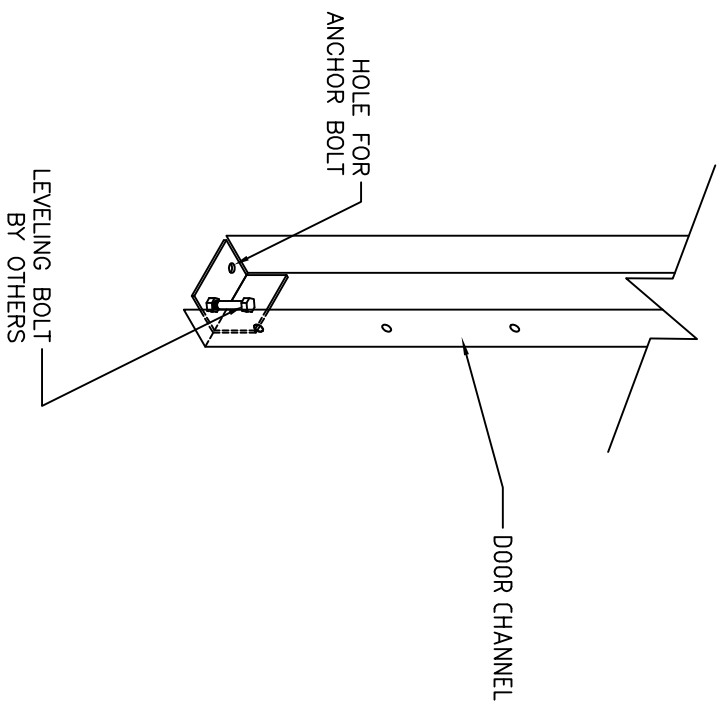


DOOR LATCH
AND SEAL DETAIL



DOOR FRAME
BASE DETAIL

DESIGNED BY	COL-MET
DRAWN BY	<i>spray booths</i>
TLO	
CHECKED BY	DOOR DETAILS
DATE: 12-20-24	PROJECT:
NOTES	INSTALLATION DETAIL SHEET 46
APPROVED BY	DATE:
	SHEET OF