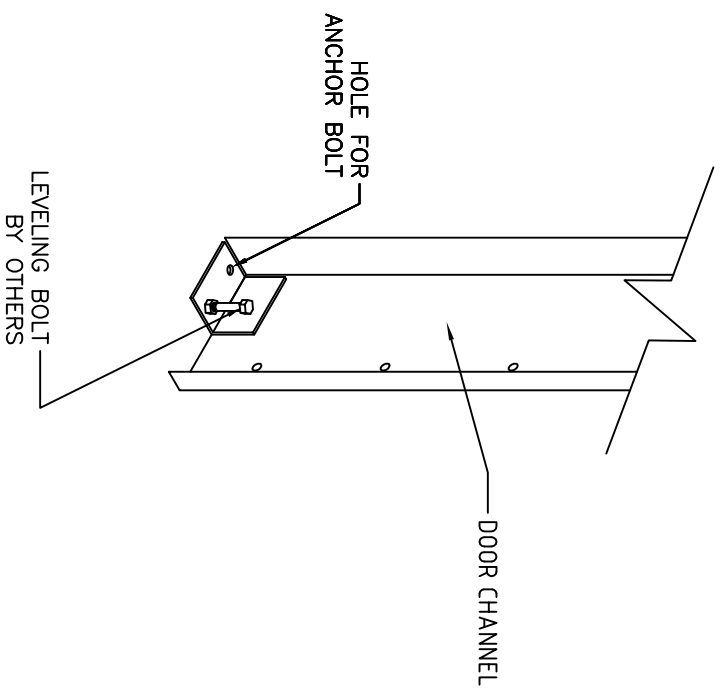


DOOR LATCH
AND SEAL DETAIL



DOOR FRAME
BASE DETAIL

DESIGNED BY	COL-MET
DRAWN BY	<i>spray booths</i>
TLO	
CHECKED BY	EIB DOOR DETAILS
DATE	
SCALE	
NOTES	INSTALLATION DETAIL SHEET 45
APPROVED BY	
DATE	
SHEET OF	